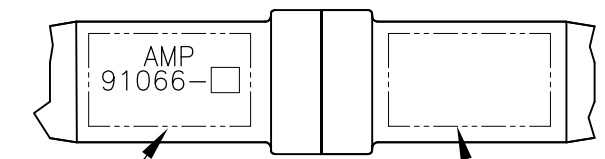
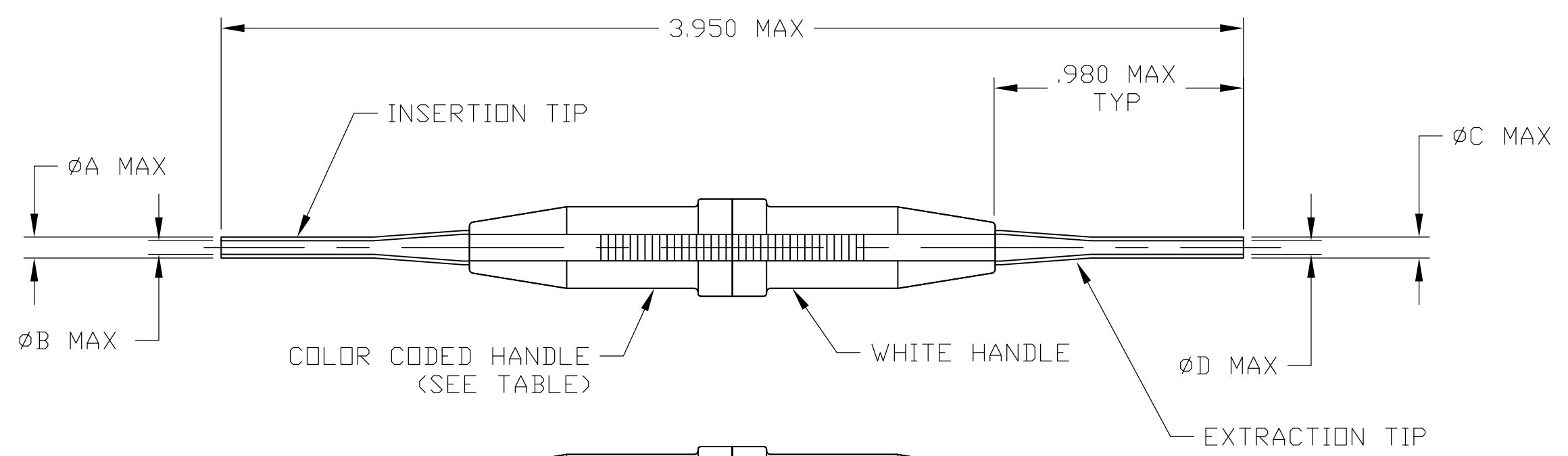


THIS DRAWING IS UNPUBLISHED. RELEASED FOR PUBLICATION N/A ,N/A .
 © COPYRIGHT N/A By - ALL RIGHTS RESERVED.

LOC	DIST	REVISIONS					
DF	A0	P	LTR	DESCRIPTION	DATE	DWN	APVD
		D1		REVISED PER ECO-11-005030	11MAR11	RK	HMR



MARKING IN APPROX. AREA AS SHOWN REF

M81969-SQ BLOCK SYMBOL

1. FOR CORRECT TOOL USAGE SEE INSTRUCTION SHEET: I. S. 408-7491.

-	.072	.087	.073	.085	RED	20	91066-4
M81969/1-03	.116	.136	.114	.134	BLUE	16	91066-3
M81969/1-01	.055	.074	.056	.065	LT. GREEN	22	91066-1
MILITARY PART NO. REF	DIM D	DIM C	DIM B	DIM A	COLOR CODE	SIZE	PART NUMBER

THIS DRAWING IS A CONTROLLED DOCUMENT.

DIMENSIONS: INCHES	TOLERANCES UNLESS OTHERWISE SPECIFIED:
	0 PLC ± -
	1 PLC ± -
	2 PLC ± -
	3 PLC ± -
	4 PLC ± -
	ANGLES ± -

MATERIAL: PLASTIC & STEEL
 FINISH: NICKEL PLATED

DWN	C.C.THOMAS	4-30-03
CHK	S.GLATFELTER	4-30-03
APVD	S.GLATFELTER	4-30-03
PRODUCT SPEC	-	-
APPLICATION SPEC	-	-
WEIGHT	-	-



INSERTION/EXTRACTION TOOL

SIZE	CAGE CODE	DRAWING NO	RESTRICTED TO
A3	00779	C-91066	-

CUSTOMER DRAWING SCALE 2:1 SHEET 1 OF 1 REV D1